

V120W-VTC

182mm 32Cells All Black PV Module



MBB PERC
Half Cut Cell



Excellent Low-Light
Performance



100% Inspection
Guarantee Reliability



Anti PID



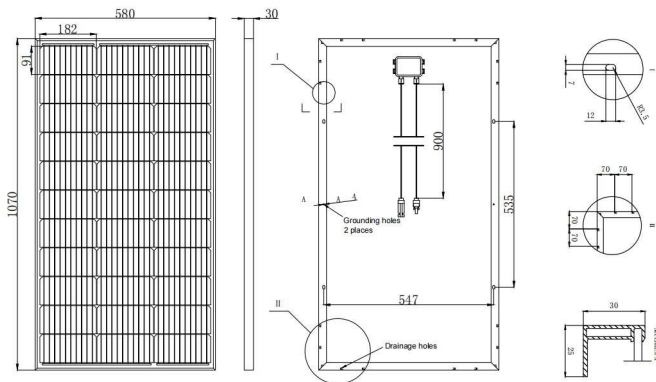
Strengthened
Mechanical Load



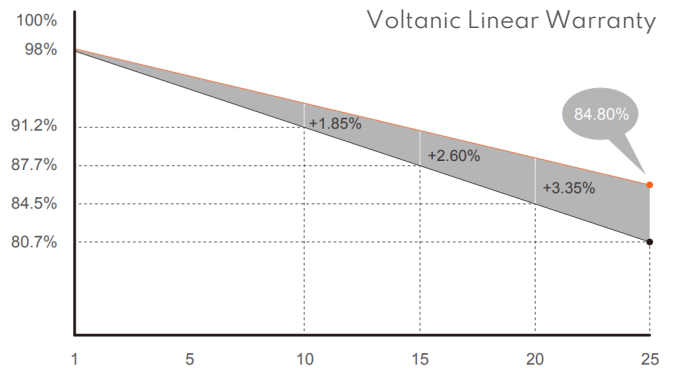
High Density
Packaging



VOLTANIC



All Dimensions are in mm.
The above drawing is a graphical representation of the product.



12 Years
Material & Craft
Quality Assurance

12 Years
90% Output Power
guarantee

30 Years
80% Output Power
guarantee

Electrical Characteristics

Module Type	V120W-VTC
	STC
Maximum Power- Pmax(W)	120
Open Circuit Voltage - Voc(V)	22.03
Short- Circuit Current - Isc(A)	6.54
Voltage at Pmax -Vmp(V)	19.28
Current at Pmax - Imp(A)	6.22
Module Efficiency -ηm(%)	19.86
Power Tolerance(W)	0, +4.99W
Maximum System Voltage(V)	700Vdc (IEC / UL)
Maximum Series Fuse Rating (A)	10A

STC : Irradiance 1000W/m² , Cell Temperature 25°C, Air Mass 1.5

Mechanical Specifications

External Dimensions	1070*580*30mm
Weight	6.37kg
Solar Cells	Mono crystalline 182X91mm (4X8pcs)
Front Glass	3.2 mm tempered glass
Frame	Aluminum
Junction Box	IP67
Output Cables	50cm, length can be customized
Connector	MC4 Compatible
Mechanical Load	Front Side Max. 5400Pa, Rear Side Max. 2400Pa

Packing Configuration

Module Type	V120W-VTC
Module Dimensions	1070*580*30mm
Pallet Dimensions	1155*1130*885mm
Pallet Weight	260kg
Pieces/Pallet	36pcs

Temperature Characteristics

Pmax Temperature Coefficient	-0.350%/°C
Voc Temperature Coefficient	-0.270%/°C
Isc Temperature Coefficient	+0.048%/°C
Operating Temperature	-40~+85°C
Nominal Operating Cell Temperature(NOCT)	45±2°C

